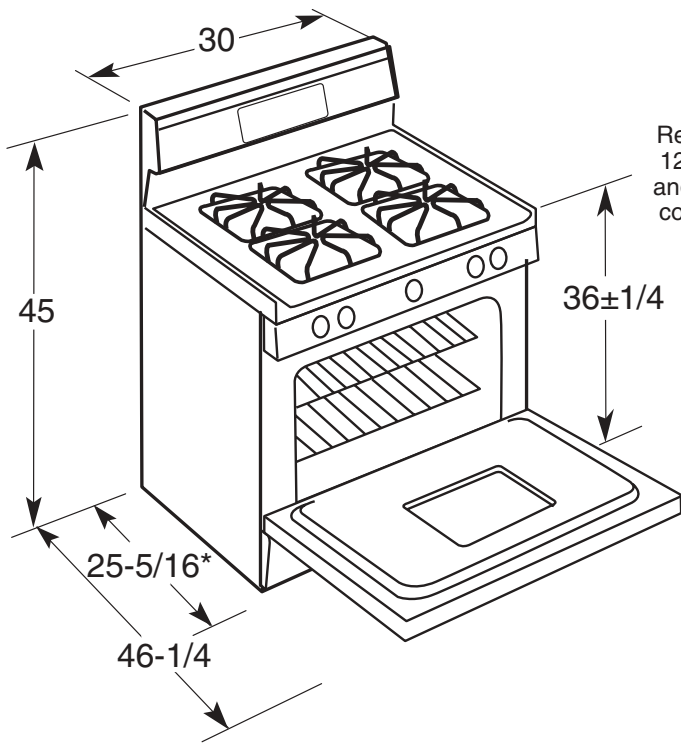




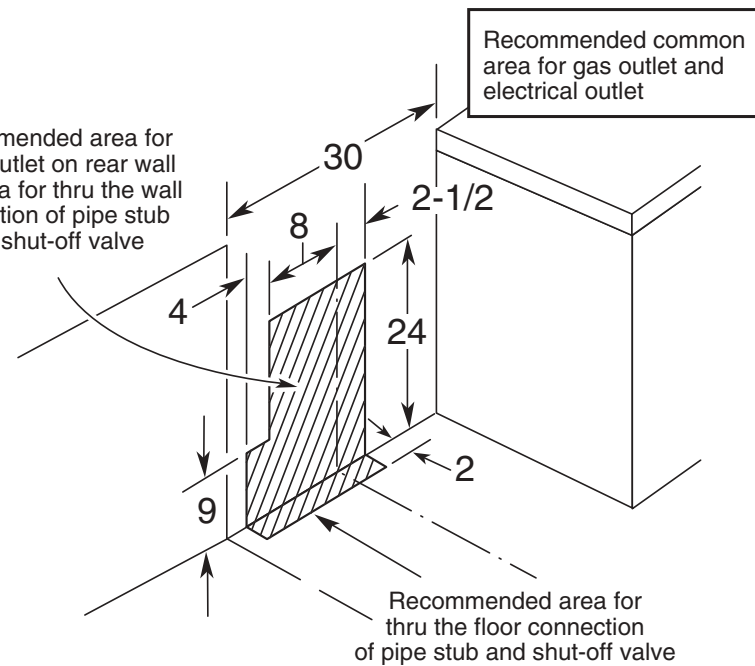
GE Appliances

## JGBS09PEH – GE® 30" Free-Standing Standard Clean Gas Range

### Dimensions (in inches) and Installation Information



\*Dimension from wall to front of closed door handle is 29".  
 Depth to front edge of cooktop – 25-1/4".



Factory set for Natural gas. A set of LP orifices is included with each range for LP conversion.

**Gas Self-Clean Range  
 Anti-Tip Bracket  
 (Part No. 205C1714P001)**

**Electrical Rating:** 120V, 60Hz, 5A

**Installation Information:** Before installing, consult installation instructions packed with product for current dimensional data.



All GE ranges are equipped with an Anti-Tip device. The installation of this device is an important, required step in the installation of the range.

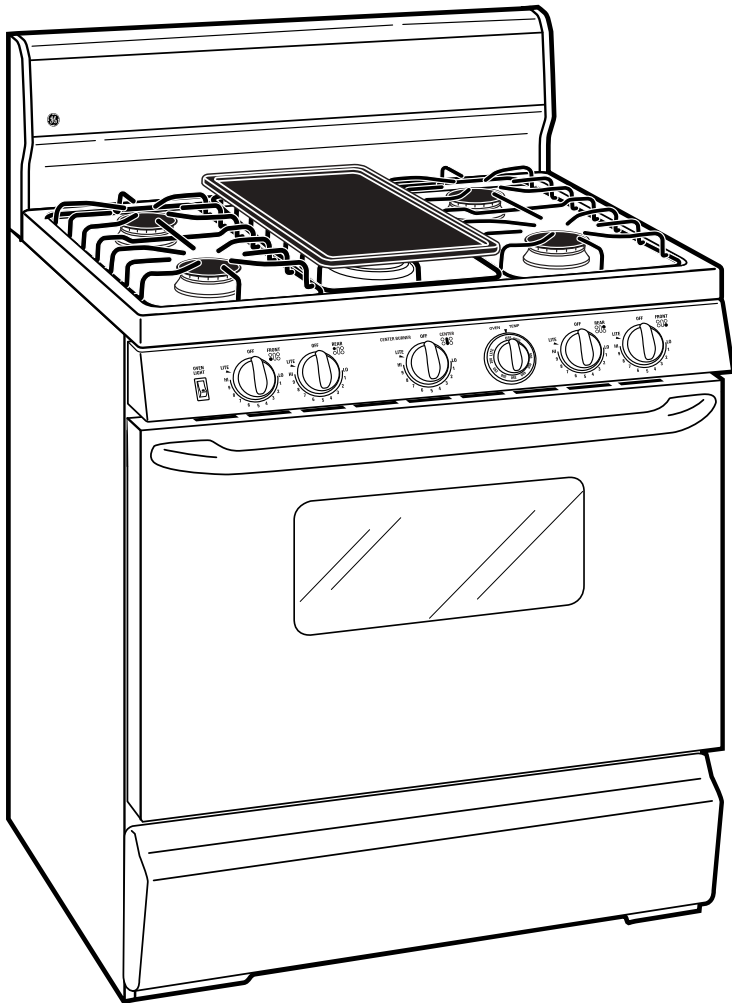


For answers to your Monogram®, GE Profile™ or GE® appliance questions, visit our website at [GEAppliances.com](http://GEAppliances.com) or call GE Answer Center® service, 800.626.2000.



**GE Appliances**

## **JGBS09PEH – GE® 30" Free-Standing Standard Clean Gas Range**



### **Features and Benefits**

- Center Oval Burner – Fifth burner in the center of the cooktop, ideal for griddle or odd-size cookware.
- Non-Stick Griddle – Placed over a fifth center burner the griddle provides a flat, non-stick surface for cooking and warming all types of foods.
- Sealed Cooktop Burners – Eliminate the space between the burners and the cooktop to help contain spills and boil over liquids, ensuring easy cleanup.
- All Purpose Burners – Deliver a wide range of heat output ideal for most cooking requirements.
- Porcelain Upswept Cooktop – Features raised edges to help contain spills and make clean-up easy.
- Easy Clean Subtop – Porcelain enameled subtop collects spills and messes for easy cleaning.
- Extra-Large Oven Capacity – Provides a large oven interior ideal for cooking more items at once.
- Model JGBS09PEHWW – White on white (white door and white patterned cooktop)